

QUICKSET™ INK-KEY LEVERS™

QuickSet has sold over 120,000 levers in North America. This makes QuickSet lever inserts **the number one lever retrofit for web offset presses—period.** QuickSet's patented lever designs are unparalleled in ease to install and adjust. The financial benefits of our levers are noticed immediately. Our customer base reports reducing make-ready waste an average of 33% after installing Ink-Key Levers, which translates into a Return-On-Investment of less than six months.

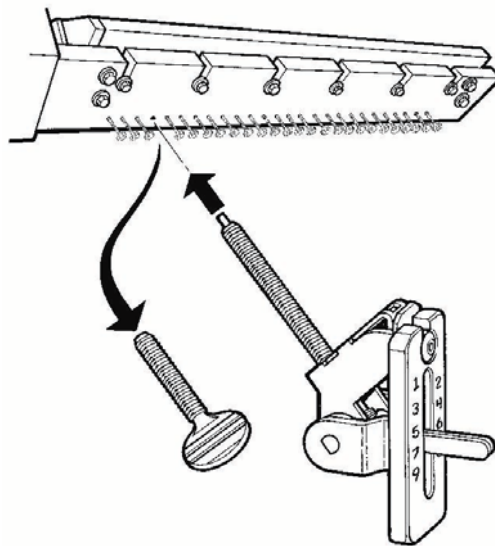
Press Availability:

Goss Community (including GOSS UOP Units)*
 Goss Urbanite*
 Goss Suburban*
 Harris V-Series* (V-15, V-15a, V-25, V-30, etc.)
 Harris 1650*
 Solna D-Series*
 Global
 Web Press Corp units (QuadStack, Atlas, QuadraColor)*

Do-it-yourself Install:

- No installation costs
- Installs in current ink-key holes
- No Drilling
- No Tapping
- Your Pressman can install
- Easy to calibrate zero setting

* Trademarks



Lever Choices:

Lever Type:	Standard Range Ink-Key Lever Insert	Extended Range Ink-Key Lever Insert
Handle Arc:	45 degree range of motion	100 degree range of motion
Adjustment Range:	32 thousandths nominal movement	50 thousandths nominal movement
Sensitivity:	Equivalent to ink key screws	Superior to ink key screws
Usage:	Good for most all applications	Great for any application
Retail Price (US Funds):	\$36 per lever** (e.g. 24 x \$36 = \$864)	\$44 per lever**
Normal Delivery Time:	3-4 weeks	3-6 weeks

(Levers for Goss Urbanite/Suburban/UOP* units , Harris 1650* units, Solna* units, and Global units add \$13 per lever.)

**** Current prices as of Nov 1, 2007** (10% discount for purchases of levers for 4 or more complete press units)

QuickSet Oscillating Form Roller Kits are also available.

- Greatly reduce ghosting caused by ink starvation
- Reduce Ink Consumption

Want to eliminate up to 90% of your make-ready waste? **QuickSet Ink Pre-Setting** is the only feasible option for most printing operations.

QUICKSET LEVERS

If you need levers for your press, then we have the best option. Our patented levers fit onto your press without any modification to your ink fountain. Easiest install in the industry (and your pressman does the installation). Our durable stainless steel levers will last the life of your press.

Typical Lever Costs*—per ink fountain/duct

We are your least expensive alternative by far, as we demonstrate below (assuming a volume purchase for four or more complete printing units):

Goss Community—\$777.60 per ink fountain/duct

Goss UOP—\$1058.40 per ink fountain/duct

Goss Urbanite (24-key)—\$1058.40 per ink fountain/duct

Goss Urbanite (18-key)—\$793.80 per ink fountain/duct

Goss Suburban—\$1058.40 per ink fountain/duct

Harris V15 through V30 — \$810.00 per ink fountain/duct

Harris 1650 (Extended Range Lever)—\$2052.00 per ink fountain/duct

Web Press Corp QuadStack—\$1134 per ink fountain/duct (33 key duct + blocks)

Web Press Corp Web Leader/Atlas—\$1069.20 per ink fountain/duct

Web Press Corp Quadracolor—\$1069.20 per ink fountain/duct

Other press types are available, and custom order requests are welcome.

QuickSet Ink Pre-Setting works with any lever(!) - but if you need levers for your press, then QuickSet has the least costly / highest-function lever retrofits available.

* (does not include shipping charges)